



**Supplier EDI Guidelines
VDA4905
Delivery Schedule**



Tabel of contents

- 1 – Purpose and Principles.....3
- 2 – Message Definitions.....3
- 3 - Message structure.....4
 - 3.1 - Segment overview.....5
 - 3.2 – Description of data records
 - 3.2.1 – Record 511.....5
 - 3.2.2 – Record 512.....6
 - 3.2.3 – Record 513.....7
 - 3.2.4 – Record 514.....8
 - 3.2.5 – Record 515.....9
 - 3.2.7 – Record 517.....9
 - 3.2.8 – Record 518.....10
 - 3.2.9 – Record 519.....10
- 4 – VDA4905 overview.....11
- 5 – Contacts.....15

1 – Purpose and Principles

The Auria VDA4905 Supplier EDI Guide is valid for all Auria plants served by the Auria Global EDI Team. The VDA4905 delivery schedule will match the requirements and specifications described in this document.

The aim of the EDI Delivery Schedule (VDA4905) specified in this document is:

- Quick data transmission
- Enhancement of data quality by avoidance of data entry errors
- Minimise manual work during the ordering procedure

2 – Message Definitions

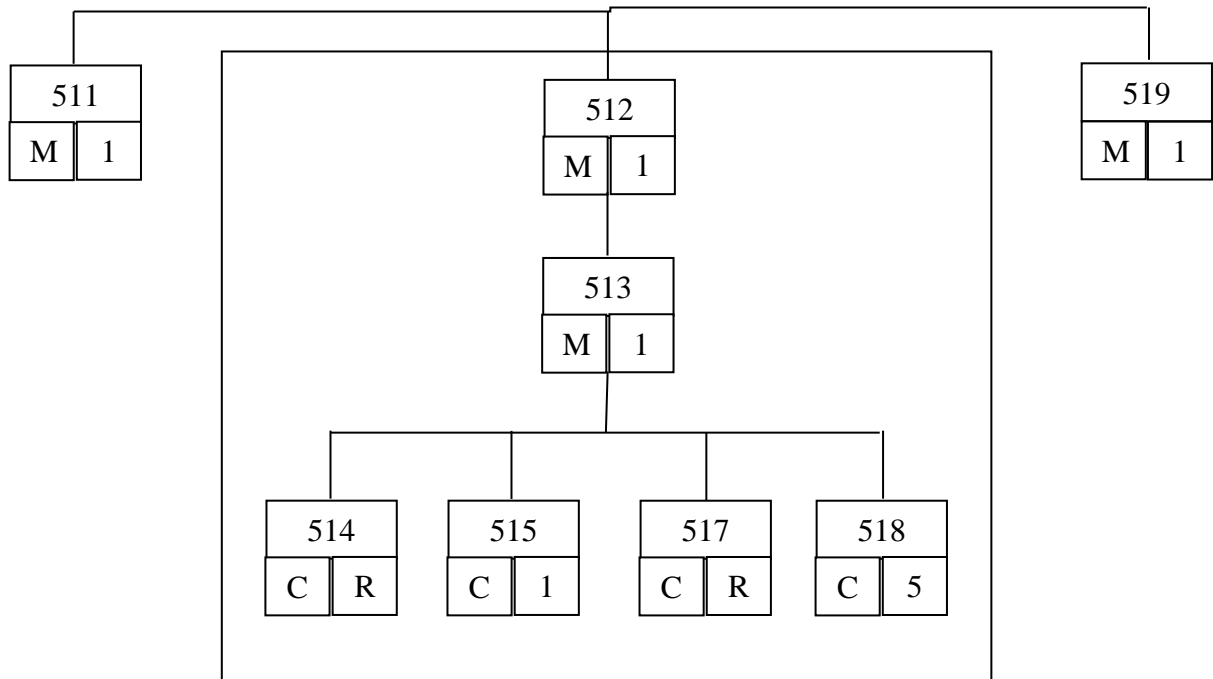
Auria follows the VDA recommendation 4905 for the delivery schedule.

Codes, packaging and other logic have to be used according to the VDA publications.

The original VDA4905 message guides (German version) can be found on the official VDA web page <http://www.vda.de> .

3 – Message structure

Allowed segment sequence in VDA4905 messages



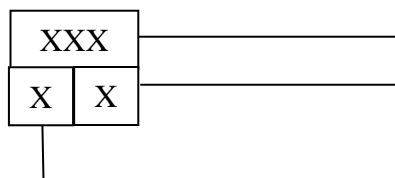
Segment

1 = once

R = repeatable

M = Mandatory

C = Conditional



- 511 Must be the first record of a logical transmission
- 512 Must follow after 511 and can follow 513, 514, 515, 517 or 518
- 513 Must follow after 512
- 514 Can follow after 513 or 514 (call – off dates must be in ascending order)*
- 515 Can follow after 513 or 514
- 517 Can follow after 513, 514, 515 or 517
- 518 Can follow after 513, 514, 515, 517 or 518
- 519 Can follow after 513, 514, 515, 517 or 518 and **needs** to be the last record of a logical transmission

Segment overview

Record Type	Content	State	Occurrence
511	Interchange Header	M	
512	Onetime Data of Delivery Schedule	M	
513	Call – off Data	M	
514	Further Call – Off Data	C	
515	Additional Call – Off Data	C	
517	Packaging Data	C	
518	Delivery Schedule Text	C	
519	Interchange Trailer	M	

M = Mandatory, C = Conditional

3.1 Description of data records

Record Type 511 – Interchange Header

Usage: Mandatory Record / once per transmission

No	Element	A/N	Byte	M/C	Position	Description
01	Record Type	N	3	M	1-3	`511`
02	Version Number	N	2	M	4-5	`02`
03	Customer Number	A	9	M	6-14	Assigned by Auria
04	Supplier Number	A	9	M	15-23	Assigned by Auria
05	Transmission Number Old	N	5	M	24-28	Right-justified with leading Zeros; sequential number of last transmission
06	Transmission Number New	N	5	M	29-33	Right-justified with leading Zeros; sequential number of this transmission
07	Transfer Date	N	6	M	34-39	YYMMDD
08	Date – receipt number reset	N	6	C	40 -45	Not used

09	Blank	A	83	M	46-128	Not used
----	-------	---	----	---	--------	----------

C = Conditional, M=Mandatory, A=Alphanumeric, N=Numeric

Record Type 512 – Onetime Data of Delivery Schedule

Usage: Mandatory Record / once per transport

No	Element	A/N	Byte	M/C	Position	Description
01	Record Type	N	3	M	1-3	`512`
02	Version Number	N	2	M	4-5	`01`
03	Plant-customer	A	3	M	6-8	Assigned by Auria
04	Delivery Schedule Number New	N	9	M	9-17	
05	Delivery Schedule Date New	N	6	M	18-23	Format YYMMDD
06	Delivery Schedule Number Old	N	9	C	24-32	Release number of last release
07	Delivery Schedule Date Old	N	6	C	33-38	Format YYMMDD
08	Article Number Customer	A	22	M	39-60	Item Number
09	Article Number Supplier	A	22	C	61-82	Only used by special agreement
10	Purchase Order Number	A	12	C	83-94	Left justified
11	Unloading Point	A	5	C	95-99	Left justified
12	Sign of the Customer	A	4	C	100-103	Not used
13	Quantity Unit of Measure (UoM)	A	2	M	104-105	ST=Piece
14	Delivery – Interval	A	1	C	106	L=Release dates as transmitted
15	Production go-ahead	N	1	C	107	Not used
16	Material go-ahead	N	1	C	108	Not Used
17	Requirement code	A	1	C	109	S=production, E=service
18	Allocation Key	A	7	C	110-116	Not used
19	Inventory	A	7	C	117-123	Auria Warehouse Code
20	Blank	A	5	M	124-128	Blank

C = Conditional, M=Mandatory, A=Alphanumeric, N=Numeric

Record Type 513 – Call – off Data

Usage: Mandatory Record / once per article and plant

No	Element	A/N	Byte	M/C	Position	Description
01	Record Type	N	3	M	1-3	`513`
02	Version Number	N	2	M	4-5	`01`
03	Entry Date last receipt	N	6	C	6-11	YYMMDD Date last shipment received
04	Delivery Note Number last receipt	N	8	C	12-19	Del Notice # of last shipment received
05	Delivery Note Date last receipt	N	6	M	20-25	YYMMDD, if position 4 is used
06	Quantity last receipt	N	12	M	26-37	if position 4 used, right-justified with leading zeros, three digits after decimal point, negative value allowed
07	Cumulated receipts	N	10	M	28-47	if position 4 used, right-justified with leading zeros, three digits after decimal point, negative value allowed
08	Call – off date 1	N	6	M	48-53	See *1 & *2
09	Call – off quantity 1	N	9	M	54-62	right-justified with leading zeros, no digit after decimal point, negative value not allowed
10	Call – off date 2	N	6	C	63-68	
11	Call – off quantity 2	N	9	C	69-77	
12	Call – off date 3	N	6	C	78-83	
13	Call – off quantity 3	N	9	C	84-92	
14	Call – off date 4	N	6	C	93-98	
15	Call – off quantity 4	N	9	C	99-107	
16	Call – off date 5	N	6	C	108-113	
17	Call – off quantity 5	N	9	C	114-122	
18	Blank	A	6	M	123-128	

C = Conditional, M=Mandatory, A=Alphanumeric, N=Numeric

*1 = Date syntax

Date entry:

Day	YYMMDD	170913	=	13.09.2017
Weeks as limits	YYWWWW	173538	=	Calendar week 35-38 in 2017
Week as deadline	YY00WW	170035	=	CW 35 in 2017

Month as deadline YYMM00 170900 = September 2017

*2 = Date Code List

Code	Explanation
'000000'	Indicates last call-off-field of an article code in this delivery call. The related quantity field as well as all further call fields of the data record are blank.
'222222'	Indicates that no requirement is present for the article code. The related quantity field as well as all further call fields of this data record are blank.
'333333'	Indicates the related quantity as back order.
'444444'	Indicates the related quantity as immediate requirements.
'555555'	It indicates that the following call fields contain required quantities, which refer to the period indicated in the call-off date. The related quantity field is blank. If all quantities of an article code refer to-periods, the first call field begins with ' 555555 '.
'999999'	Indicates the quantity field, which can contain the preview quantities of several months in the delivery call under the date " remainder ".

Record Type 514 – Further Call – Off Data

Usage: Optional Record / n -times per delivery note (record type 513)

No	Element	A/N	Byte	M/C	Position	Description
01	Record Type	N	3	M	1-3	` 514`
02	Version Number	N	2	M	4-5	` 01`
03	Call – off date 6	N	6	C	6-11	
04	Call – off quantity 6	N	9	C	12-20	
05	Call – off date 7	N	6	C	21-26	
06	Call – off quantity 7	N	9	C	27-35	
07	Call – off date 8	N	6	C	36-41	
08	Call – off quantity 8	N	9	C	42-50	
09	Call – off date 9	N	6	C	51-56	
10	Call – off quantity 9	N	9	C	57-65	
11	Call – off date 10	N	6	C	66-71	
12	Call – off quantity 10	N	9	C	72-80	
13	Call – off date 11	N	6	C	81-86	
14	Call – off quantity 11	N	9	C	87-95	
15	Call – off date 12	N	6	C	96-101	
16	Call – off quantity 12	N	9	C	102-110	
17	Call – off date 13	N	6	C	111-116	
18	Call – off quantity 13	N	9	C	117-125	
19	Blanks	A	3	M	126-128	

C = Conditional, M=Mandatory, A=Alphanumeric, N=Numeric

Record Type 515 – Additional Call - Off Data

Usage: Optional Record / once per article and plant

No	Element	A/N	Byte	M/C	Position	Description
01	Record Type	N	3	M	1-3	`515`
02	Version Number	N	2	M	4-5	`02`
03	Production go-ahead, start date	N	6	C	6-11	YYMMDD
04	Production go-ahead, end date	N	6	C	12-17	YYMMDD; Last day of Fab auth week
05	Production go-ahead, cum. Quantity	N	10	C	18-27	Not used
06	Material go-ahead, start date	N	6	C	28-33	YYMMDD, Not used
07	Material go-ahead, end date	N	6	C	34-39	YYMMDD; Last day of Mat auth week
08	Material go-ahead, cum. Quantity	N	10	C	40-49	Not used
09	FPSD – Number	A	22	C	50-71	Not used
10	Sub – supplier	A	9	C	72-80	Not used
11	Date Planning horizon	N	6	C	81-86	Not used
12	Place of consumption	A	14	C	87-100	Not used
13	Cumulated receipts reached at last reset	N	10	C	101-110	Not used
14	Blanks	A	18	M	111-128	

C = Conditional, M=Mandatory, A=Alphanumeric, N=Numeric

Record Type 517 – Packaging Data **Not required for Trade Sales

Usage: Optional Record / n- times per article and plant

No	Element	A/N	Byte	M/C	Position	Description
01	Record Type	N	3	M	1-3	`517`
02	Version Number	N	2	M	4-5	`01`
03	Identity number customer for package	A	22	M	6-27	
04	Identity number supplier for package	A	22	C	28-49	
05	Capacity	N	7	M	50-56	Parts per pallet
06	Blanks	A	72	M	57-128	

C = Conditional, M=Mandatory, A=Alphanumeric, N=Numeric

Record Type 518 – Delivery Schedule Text

Usage: Optional Record / five - times per article and plant

**Not required for Trade Sales

No	Element	A/N	Byte	M/C	Position	Description
01	Record Type	N	3	M	1-3	`518`
02	Version Number	N	2	M	4-5	`01`
03	Delivery Schedule Text 1	A	39	M	6-44	Not used
04	Delivery Condition	A	1	M	45	D=Shipping Dates; F=Receiving Dates
05	Delivery Schedule Text 2	A	40	C	46-85	Not used
06	Delivery Schedule Text 3	A	40	C	86-125	Not used
07	Blanks	A	3	M	126-128	

Record Type 519 – Interchange Trailer

Usage: Mandatory Record / once per transmission

No	Element	A/N	Byte	M/C	Position	Description
01	Record Type	N	3	M	1-3	`519`
02	Version Number	N	2	M	4-5	`02`
03	Counter record Type 511	N	7	M	6-12	
04	Counter record Type 512	N	7	M	13-19	
05	Counter record Type 513	N	7	M	20-26	
06	Counter record Type 514	N	7	M	27-33	
07	Counter record Type 517	N	7	M	34-40	
08	Counter record Type 518	N	7	M	41-47	
09	Counter record Type 519	N	7	M	48-54	
10	Counter record Type 515	N	7	M	55-61	
11	Blank	N	67	M	62-128	

C = Conditional, M=Mandatory, A=Alphanumeric, N=Numeric

5 – Contacts

Europe – Werner.Dittrich@AuriaSolutions.com

Lynda.Reason@AuriaSolutions.com

NA/ROW – Cindy.Hudson@AuriaSolutions.com

ERP Technical Manager